

# SmartStix I/O

CsCAN  
Fieldbus I/O

Local  
or Remote

Compact Size

Fast Response  
Times

Reduced  
Wiring

DIN Rail  
Mountable



SmartStix I/O

## A New I/O for OCS

SmartStix I/O is a new terminal-block style I/O for the Operator Control Station (OCS). It can be used to expand the I/O capacity of any OCS and it is very cost effective as remote digital I/O. Because SmartStix I/O connects to any OCS CsCAN network port, it can be combined with our SmartStack I/O to provide the best I/O selection for the application.

## Compact, DIN-rail Mounted

SmartStix I/O is extremely compact. For example, it provides 16 digital I/O in a package only 39mm deep and a footprint of 50mm x 116mm or 32 points in only 50mm x 177mm. With its small footprint, SmartStix I/O takes up very little panel space whether located in the main control panel or tucked away in a remote location. SmartStix I/O has a barrier style terminal strip and is designed to be mounted on a DIN-rail.

## Expands I/O Capacity, Local or Remote

From the miniOCS\* to the Colour-Touchscreen OCS, SmartStix I/O easily expands the I/O capacity of any OCS utilising the CsCAN network port available with every model. It is especially cost effective when added to a MiniOCS. SmartStix I/O offers fast response times without sacrificing robustness, with no need for a costly I/O interface unit. In addition to its peer-to-peer capabilities, CsCAN is used as a highly efficient method of distributing SmartStix I/O up to 500m\*\* away.

## Easy to Setup – Easy to Configure

Time and complexity to configure most Remote I/O systems is often a drawback. SmartStix I/O greatly reduces setup time. Just assign a unique ID to the I/O module using the integrated rotary switches, connect a 5-wire shielded cable, and add a single, simple function block to your Cscope control program. You'll be up and running in no time.



MiniOCS  
with integral I/O  
plus SmartStix Remote I/O

OCS100/200/250  
with Local SmartStack I/O  
plus SmartStix Remote I/O

Color-Touch OCS  
with FOX Expansion I/O  
plus SmartStix Remote I/O

\* Optional CsCAN port required for miniOCS.  
\*\* Maximum distance is 500m per segment,  
with up to 1500m possible using repeaters.

# SmartStix I/O



32 pt SmartStix Module

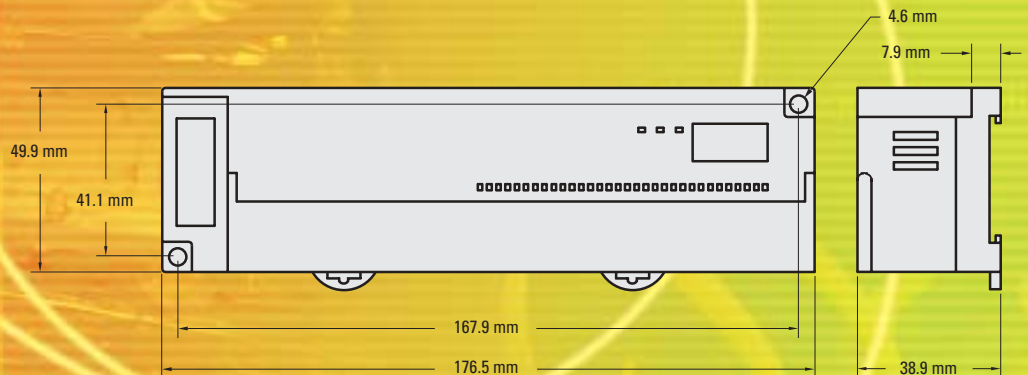
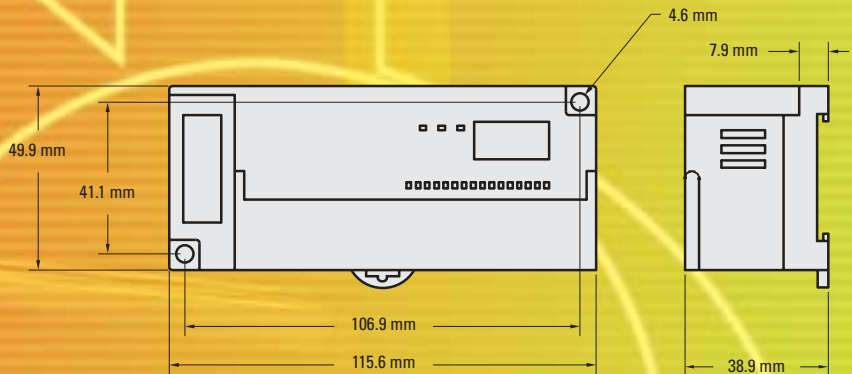
## Specifications

Item	Specification
Bus Protocol	CsCAN (Control station Controller Area Network)
Input Data Mechanism	Global Data (change-of-state & periodic)
Output Data Mechanism	Directed Data (change-of-state & periodic)
Bus Connector	5-position Terminal Strip
Maximum Distance	500m per segment; 4 segments max.
Maximum Number of Nodes	253
Module Configuration Method	Module ID, set using Rotary Switches (2)
LED Indication	I/O Status (one per point); Power, Module Status, Network Status

Easily Expands  
I/O Capacity

Easy Setup

Other Fieldbus  
Models Available



### Part Numbers

HE550DIM610  
HE550DIM710  
HE550DQM601  
HE550DQM701  
HE550DQM602  
HE550DIQ811

### Description

16 DC Inputs (24vdc, pos/neg logic).  
32 DC Inputs (24vdc, pos/neg logic).  
16 DC Outputs (24vdc, neg logic, 0.1A)  
32 DC Outputs (24vdc, neg logic, 0.1A)  
16 Relay Outputs (250vac, 30vdc, 2.0A)  
16 DC Inputs (24vdc, pos/neg logic) and  
16 DC Outputs (24vdc, neg logic, 0.1A)

Please check [www.horner-apg.com](http://www.horner-apg.com) for full model listing

## Sales Support Centre - Europe

Horner Ireland Limited  
Unit 1, Centrepoint, Centre Park Road,  
Cork, Ireland.

Tel: +353 21-4321-266  
Fax: +353 21-4321-826

[www.horner-apg.com](http://www.horner-apg.com)  
Email: [sales@horner-apg.com](mailto:sales@horner-apg.com)